

This document is in the property and copyright of EPAK GmbH.
All rights reserved.



GmbH

Entwicklungs- und Produktionsgesellschaft für
Automobil- und Kommunikationselektronik mbH

Spinnereistrasse 7
04179
Leipzig

GERMANY

Technical Data

EPAK ® TV 58 Twin EU

Maritime TV Tracking Antenna

This document is confidential between EPAK® GmbH and the receiving party (see „Copy for“ section). Any distributing, publishing, forwarding or similar is not allowed. All Data, Specifications, Drawings etc. are subject of change. This document is not a commercial offer.



Data sheet for EPAK® TV58

Maritime TV tracking Antenna

Antenna:

Type:	Fully automated maritime TV tracking antenna 2-axes servo belt
Azimuth turns:	unlimited (Rotary Joint)
Antenna Elevation Range:	5° to 90°
Polarisation Angle:	Range is +/- 120°
Reflector:	60cm, Cassegrain
LNB output:	Twin EU
Feed:	included
GPS:	included in antenna
Power supply:	12-36V DC
Weight:	about 16kg (ODU)
Radome Diameter:	71cm
Radome Height:	69cm
Minimum EIRP:	48 dBW
Lock on Time:	20 sec.

Control Unit:

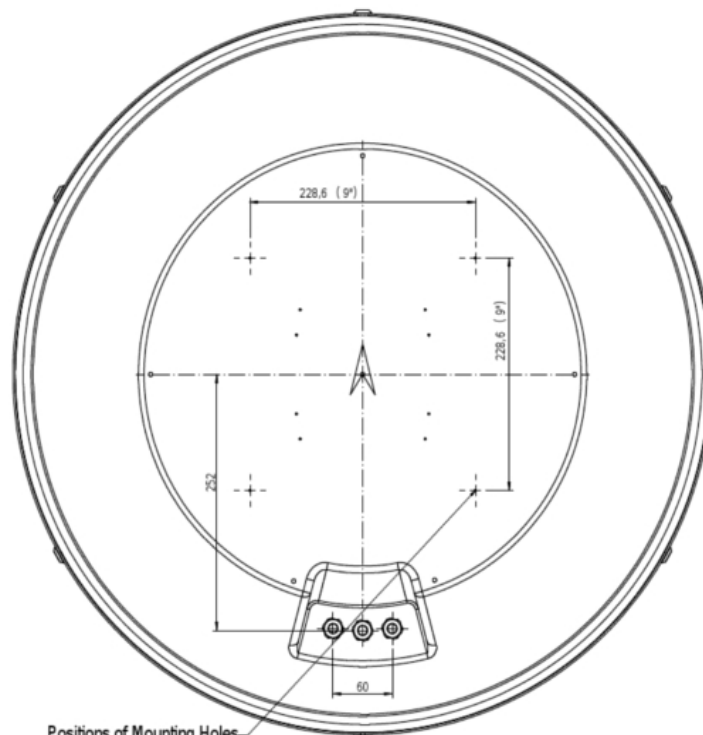
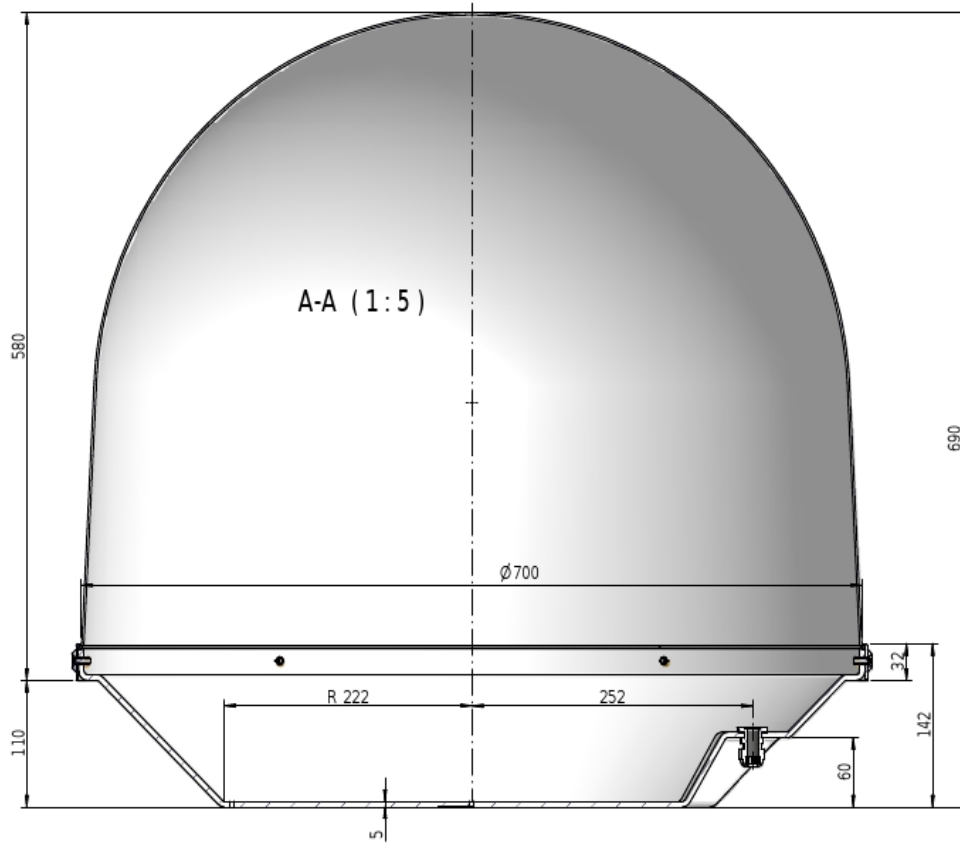
Power supply:	12-20 VDC, 100mA, powered by receiver
Satellite Acquisition:	completely automated by SatFingerprint technology
Satellite Positions:	4
Number of Preconfigured Satellites:	20
Satellite Selection:	by control unit or by DiSEqC – receiver
Operation temperature:	0° to 40°
Storage temperature:	-30° to 85°

Tracking Parameters:

external interface:	no external interface for tracking necessary
Tracking Speed:	up to 12°/ second
Polarisation angle tracking:	manually
Azimuth tracking:	fully automated
Elevation tracking:	fully automated
Tracking Sensors:	Electronic Beamforming (EBF-Gyro) for Tracking during present sat signal/ Solid State Sensor for tracking during blocked sat signal
EBF-Sensor Rate (refresh):	12.5 msec (80 times per second)

The Antenna will be delivered in a cardboard box

Dimensions EPAK® TV58 (ODU)



Positions of Mounting Holes
(Diameter: 8.5 ... 9.0 mm)